



Datasheet

LED Frosted Kingston Batten Light



• Product Features

- > Easy open between up-down case
- > End or rear cable entry
- > Easy installation
- > 5 years warranty

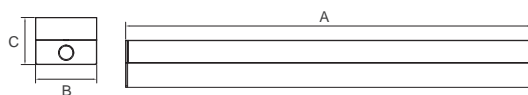
• Options

- > Emitting: Single color or Tri-color
- > Dimming : ON-OFF / 1-10V dimming/ DALI
- > Wiring method: Single or double sides
- > Installation : Surface mounting or suspension

• Application

- > Replacement for T8 fluorescent batten ,
- > Warehouses , Factories, Car parks , Supermarkets,
- > Stations, Office .

• Dimension



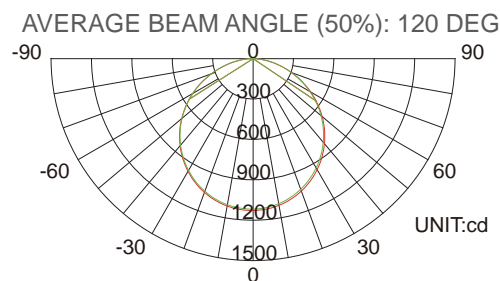
Product Name	A	B	C
120cm/4ft	1200	120	63.5
150cm/5ft	1500	120	63.5
180cm/6ft	1800	120	63.5

Unit:mm

• Product Picture



• Photometry Curve



• Product code policy

BT XX -XX X XX - X X X X X- XXX
01 02 03 04 05 06 07 08 09 10 11

01. Product category: BT: Batten/Linear Light
02. Product dimension: eg: 04:4ft/120CM; 06:6ft/180cm
03. Rated power: eg: 32: 32W; 40: 40W
04. Luminous Efficacy: P:Premium 125LM/W
05. Color Temperature: eg:N1: 4000~4500K, TR:Tri-color
06. Product version: K: Kingston batten
07. Structural function: F:Frosted cover
08. Electrical function:N:ON/OFF
- 09.Power attribute:1:AC200-240V Flicker free power drive
- 10.Power supply manufacturer
- 11.Series No.: 001-499.

• Technical / Electrical Characters (at TA=25° C)

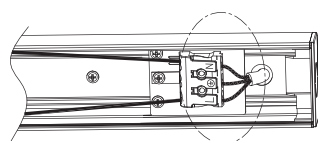
		L=120CM		L=150CM		L=180CM	
Rated Power	W	17W	32W	22W	40W	27W	50W
Product Code	Tri-Color	BT04-17PTR-KFN1B-001	BT04-32PTR-KFN1B-001	BT05-22PTR-KFN1B-001	BT05-40PTR-KFN1B-001	BT06-27PTR-KFN1B-001	BT06-50PTR-KFN1B-001
	Single color	BT04-17PN1-KFN1B-001	BT04-32PN1-KFN1B-001	BT05-22PN1-KFN1B-001	BT05-40PN1-KFN1B-001	BT06-27PN1-KFN1B-001	BT06-50PN1-KFN1B-001
LED Type/Qty SMD2835	Tri-Color	208 X2	260X2	260X2	312 X2	312 X2	364X2
	Single color	208	260	260	312	312	364
Lumen Efficacy	Lm/w	typ.125	typ.125	typ.125	typ.125	typ.125	typ.125
Luminous Flux	Frosted	typ.2150	typ.4000	typ.2750	typ.5000	typ.3350	typ.6250
Color Index	CRI(Ra)	Ra>80					
Color Temperature:	TC(K)	Singel color:WW:3000K, NW:4000K, PW:5000K , CW:6000K , Tri-Color : 3000/5000K, Mixed: 4000K					
Beam Angle	Degree	120 degree					
Dimming Function	/	ON -OFF OR 1-10V dimming					
Power Factor	PF	PF>0.95					
LED current	mA	Constant 45mA					
Input Voltage	V	AC200~240V/50Hz					
Working Voltage	V	Constant DC36~42V					
Housing material	/	Aluminum+PC					
Starting time	S	<0.5S					
Protection Class	IP	IP20					
Temperature	°C	Operation:-15°C~+50°C		Storage:-25°C~+55°C			
Lumen Maintenance @6000hrs	%	0.8					
Swtich cycle before failure	times	100000					
Life Span	h	50,000 hours					
Warranty	/	5 years					

• Erp Technical Specification

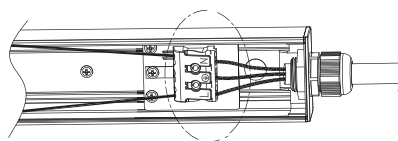
Item	Symbol	Specification / Data
Color Index	CRI	Ra>80 , R9>0
Luminous Efficacy	Lm/W	Premium :typ. 125LM/W
Energy efficiency Class	/	A+ / A++
Color consistency in level	/	Max. 6SDCM
THD	%	<15%
Starting Time	S	<0.5S
Switching Cycle before Failure	/	>100,000 times
Premature failure rate @1000h	/	0
Lumen Maintenance @ 6000h	%	>80%



• Wiring Method



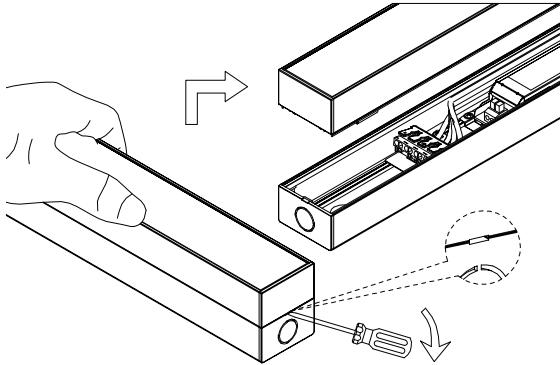
Back wiring



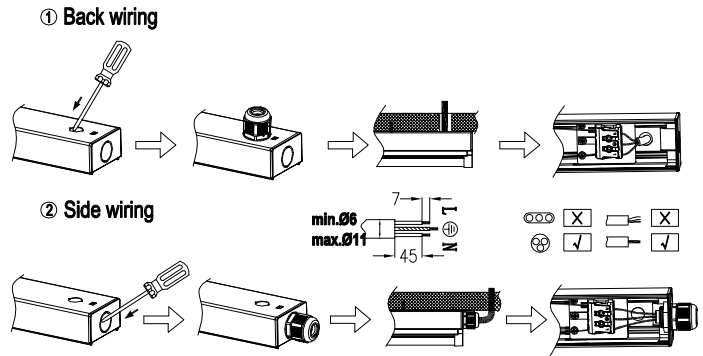
Side wiring

• Installation Instructions

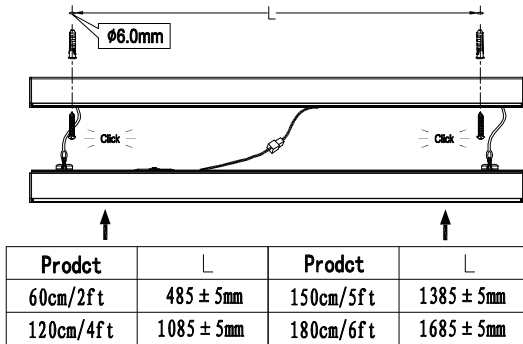
1) Open the lamps, then take out the accessories bag.



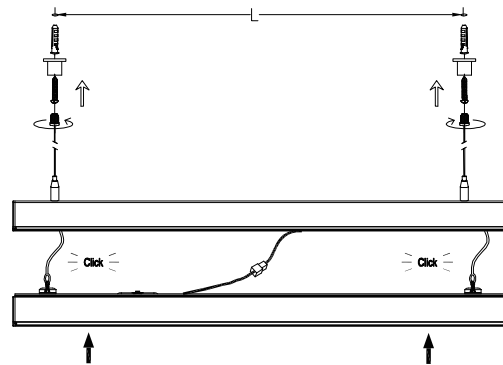
2) Pop out required entry hole, then mount the cable gland.



3) Surface mounting procedure.



4) Suspension procedure.



• Package

Product Type	Rate Power	Inner Box	Outer Carton	Qty/Carton	Unit N.W	G.W/Carton
120cm/4ft	17/32W	1215 x 130 x 70mm	1230 x 295 x 155mm	4Pcs	2.2kg	10.5kg
150cm/5ft	22/40W	1515 x 130 x 70mm	1530 x 295 x 155mm	4Pcs	2.7kg	13kg
180cm/6ft	27/50W	1815 x 130 x 70mm	1830 x 295 x 155mm	4Pcs	3.2kg	15.4kg

! CAUTION

- ※ In case of electric shock, please make sure the power is off before installation.
- ※ The lamp should be installed and operated by a qualified electrician or technician in accordance with relevant local codes.
- ※ Do not use sharp tools near or on the surface of the lamp.
- ※ Unpack and examine the product carefully. Report any damage and save all packing materials if any portion of the product was damaged during transportation.